

- Search**
  - Express
  - Advanced
  - Similarity
  - Extended Family
  - Citations
- My session**
  - Refine last search
  - Search history
  - View session log
  - Cost estimator
- My tools**
  - My saved sessions
  - My saved searches
  - My alerts
- My portfolio**
  - Order patent copies
  - My patent copies
  - My workfiles
  - Alerts portfolio
- My settings**
  - User settings
  - Sub account
  - Change password
- Support**
  - User Guide
  - Incident report
  - Help Desk
  - Coverage and information

**Advanced Search**

Search in:  [Yellow] ...

[Purple] ...

Classification:  e.g.: G10L-015 (?)

Assignee:  [Check] e.g.: Siemens (?)

Inventor:  [Check] Last name first name (?)

Publication number:  [More] e.g.: EP0980063 (?)

Publication country:  e.g.: US OR EP (?)

Date:  (?)

Limit to recent publication:  (?)

Use command line: e.g.: (wire+ W pho??)/AB (?)

**Search**

Clear

Help

Collection list: (?)

Select: All | None

	Worldwide patents <i>FamPat</i>	
	Published applications	Granted
US	<input type="checkbox"/> from 2001 <span style="float: right;">(?)</span>	<input type="checkbox"/> from 1971 <span style="float: right;">(?)</span> <input type="checkbox"/> from 1920 to 1970 <span style="float: right;">(?)</span>
EP	<input type="checkbox"/> from 1978 <span style="float: right;">(?)</span>	<input type="checkbox"/> from 1980 <span style="float: right;">(?)</span>
PCT	<input type="checkbox"/> from 1978 <span style="float: right;">(?)</span>	
Austria (AT)	<input type="checkbox"/> from 1902 <i>in German</i> <span style="float: right;">(?)</span>	
Belgium (BE)	<input type="checkbox"/> from 1925 <span style="float: right;">(?)</span>	
Switzerland (CH)		<input type="checkbox"/> from 1920 <span style="float: right;">(?)</span>
Germany (DE)	<input type="checkbox"/> from 1987 <i>in German</i> <span style="float: right;">(?)</span>	<input type="checkbox"/> Patent from 1987 <i>in German</i> <span style="float: right;">(?)</span> <input type="checkbox"/> Utility models from 2004 <i>in German</i> <span style="float: right;">(?)</span>
France (FR)	<input type="checkbox"/> from 1920 <i>in French</i> <span style="float: right;">(?)</span>	
United Kingdom (GB)	<input type="checkbox"/> from 1920 <span style="float: right;">(?)</span>	
Japan (JP)	<input type="checkbox"/> from 2008 <span style="float: right;">(?)</span>	

# Term expansion

The image shows a Mozilla Firefox browser window displaying the Questel QPAT website. The main page is titled "Questel QPAT - Mozilla Firefox" and shows a search interface with a sidebar on the left containing sections like "Search", "My session", "My tools", "My portfolio", "My settings", and "Support". The search area includes a search bar with the text "essuie glace" and various filters for classification, assignee, inventor, and date.

Overlaid on the main page is a "Multilingual search wizard" dialog box. The dialog contains the following text and controls:

- You are searching for:
- which is in:
- I would like to contribute to the improvement of your dictionaries.
- Buttons: Ok, Cancel, Clear, Help
- To expand the query, select/unselect terms below:
- A tree view showing the following structure:
  - essuie glace
    - essuie glace
      - AUTOMOBILE\_ENGINEERING (Industries manufacturières)
        - Allemand
          - Wischblatt
          - Scheibenwischer
          - Wischer
        - Anglais
          - wiper
          - windscreen wiper
          - windshield wiper
          - wiper blade
        - Français
          - essuieglace
          - balai

- Show xml response

- Search**
- Express
- Advanced
- Similarity
- Extended Family
- Citations
- My session**
- Refine last search
- Search history
- View session log
- Cost estimator
- My tools**
- My saved sessions
- My saved searches
- My alerts
- My portfolio**
- Order patent copies
- My patent copies
- My workfiles
- Alerts portfolio
- My settings**
- User settings
- Sub account
- Change password
- Support**
- User Guide
- Incident report
- Help Desk
- Coverage and information

**Advanced Search**

Search in:  [Yellow] ...

[Purple] ...

e.g.: Telecom+ OR phone ?

Classification:   e.g.: G10L-015 ?

Assignee:  [Check] e.g.: Siemens ?

Inventor:  [Check] Last name first name ?

Publication number:  [More] e.g.: EP0980063 ?

Publication country:  e.g.: US OR EP ?

Date:  ?

Limit to recent publication:  ?

Use command line: e.g.: (wire+ W pho??)/AB ?

**Search**

Clear

Help

Collection list: Worldwide patents *FamPat* ?


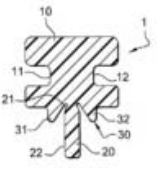
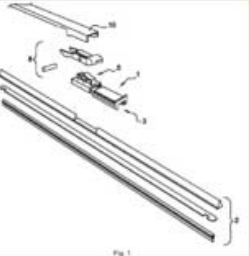
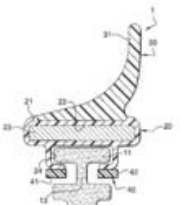
Select: All | None

Full text	Published applications	Granted
US	<input type="checkbox"/> from 2001 ?	<input type="checkbox"/> from 1971 ? <input type="checkbox"/> from 1920 to 1970 ?
EP	<input type="checkbox"/> from 1978 ?	<input type="checkbox"/> from 1980 ?
PCT	<input type="checkbox"/> from 1978 ?	
Austria (AT)	<input type="checkbox"/> from 1902 <i>in German</i> ?	
Belgium (BE)	<input type="checkbox"/> from 1925 ?	
Switzerland (CH)		<input type="checkbox"/> from 1920 ?
Germany (DE)	<input type="checkbox"/> from 1987 <i>in German</i> ?	<input type="checkbox"/> Patent from 1987 <i>in German</i> ? <input type="checkbox"/> Utility models from 2004 <i>in German</i> ?
France (FR)	<input type="checkbox"/> from 1920 <i>in French</i> ?	
United Kingdom (GB)	<input type="checkbox"/> from 1920 ?	
Japan (JP)	<input type="checkbox"/> from 2008 ?	

# Corresponding hit list

Display Printer friendly | Export Order copy Add to a workfile | Highlight | Save search Create an alert | Analyze

- Search**
  - Express
  - Advanced
  - Similarity
  - Extended Family
  - Citations
- My session**
  - Refine last search
  - Search history
  - View session log
  - Cost estimator
- My tools**
  - My saved sessions
  - My saved searches
  - My alerts
- My portfolio**
  - Order patent copies
  - My patent copies
  - My workfiles
  - Alerts portfolio
- My settings**
  - User settings
  - Sub account
  - Change password
- Support**
  - User Guide
  - Incident report
  - Help Desk
  - Coverage and information

Document	Assignee	FamPat family	Date	Image
<p>Document: ESSUIE GLACE?) OR WISCHBLATT?? OR SCHEIBENWISCHER? OR WISCHER? OR WIPER? OR (WINDSCREEN? WIPER?) OR (WINDSHIELD? WIPER?) OR (WIPER? BLADE?) OR ESSUIEGLACE? OR BALAI?) AND ((VALEO)/PA)</p> <p>Biblio: 10 of 1065</p> <p>Abstract: No hit found: ESSUIEGLACE?</p> <p>Max: Page: 1 2 3 4 5 ... Last Next &gt;&gt;</p> <p>Show: 100 records per page</p> <p>Unfold: All   None</p>				
<p>Classification: <b>INSTALLATION DE MESURE DE REPARTITION DE FORCE LINEIQUE D'UN BALAI</b> <b>ESSUIE-GLACE CONTRE UNE SURFACE A ESSUYER</b></p> <p><b>Abstract:</b> La présente invention concerne une installation de mesure (10) pour mesurer la force linéique d'un balai d'essuie-glace (12) contre une surface de mesure (14), comportant - un dispositif de réception (16) du balai d'essuie-glace (12) permettant l'application d'une force sur le balai d'essuie-glace (12) en direction de la surface de mesure (14), - un appareil de mesure (20) comportant la surface de mesure (14), qui présente une courbure (22) suivant la direction longitudinale du balai d'essuie-glace (12) et sur laquelle est agencé, selon la direction longitudinale du balai, un ensemble de capteurs de mesure (24), pour mesurer la force linéique du balai d'essuie-glace (12) sur les capteurs de mesure (24). Selon l'invention, l'installation comporte un dispositif de déplacement (28) pour un déplacement relatif entre l'appareil de mesure (20) et le dispositif de réception (16), ledit dispositif de déplacement (28) étant actionnable pendant l'opération de mesure pour permettre une mesure dynamique de force linéique du balai d'essuie-glace (12) lors de son déplacement sur les capteurs de mesure (24). La présente invention prévoit également un procédé de mesure de force linéique d'un balai d'essuie-glace (12) contre une surface de mesure (14).</p>	VALEO SYSTEMES ESSUYAGE	FR2919723	20090206	
<p><input type="checkbox"/> 2 <b>BLADE OF WIPING FOR BRUSH OF WINDSHIELD WIPER. [Machine Translation]</b></p> <p><b>Abstract:</b> Questel Machine translated Abstract The present invention relates to a blade of wiping 1 for a brush of windshield wiper equipped with a structure support. The invention is remarkable in what the blade of wiping 1 comprises a body 10 intended to be interdependent of the structure support, as well as a flexible lip 20 which is directly connected to body 10 and which presents an appreciably right section on all its height.</p>	VALEO SYSTEMES ESSUYAGE	FR2919554	20090206	
<p><input checked="" type="checkbox"/> 3 <b>Mechanical connector for a windscreen wiper for a vehicle</b></p> <p><b>Abstract:</b> Questel Machine translated Abstract The invention relates to a platform of connection (1) intended to carry a blade of wiping (2) and intended to be fixed at an adapter (5) ready to be connected to an arm of actuation (10) to form with this adapter (5) a mechanical connector for a brush of windshield wiper for motor vehicle. The platform (1) presents a parallelepipedic general form and the platform (1) and the adapter (5) can be assembled by means (7) complementary to slides and guide slots related on the one hand by the platform (1) to its longitudinal lateral sides (9) and on the other hand by the adapter (5) so that the assembly of the adapter (5) and the platform (1) can be carried out by a sliding parallel relative movement in translation. Means complementary to stop (21) carried on the one hand by the platform (1) and on the other hand by the adapter (5) make it possible to block the position relative of the platform (1) and the adapter (5) at the assembled state.</p>	VALEO SYSTEMES ESSUYAGE	EP2020351	20090204	
<p><input type="checkbox"/> 4 <b>WINDSCREEN WIPER</b></p> <p><b>Abstract:</b> The present invention relates to a windscreen wiper 1 comprising a wiper blade 10 made of supple material which is supported by a flexible structure 20, the</p>	DOUPEUX SEVERIN GRANES JEAN-MICHEL GRASSO GIUSEPPE PETITET GILLES VALEO SYSTEMES ESSUYAGE	WO2009016204	20090205	

# Sample record in KWIC format

**Search**

- Express
- Advanced
- Similarity
- Extended Family
- Citations
- My session**
  - Refine last search
  - Search history
  - View session log
  - Cost estimator
- My tools**
  - My saved sessions
  - My saved searches
  - My alerts
- My portfolio**
  - Order patent copies
  - My patent copies
  - My workfiles
  - Alerts portfolio
- My settings**
  - User settings
  - Sub account
  - Change password
- Support**
  - User Guide
  - Incident report
  - Help Desk
  - Coverage and information

<b>FAN</b>	20090420009437		
<b>FAML</b>	<b>Publication Number</b>	<b>Kind</b>	<b>Publication date</b>
	<a href="#">EP2020351</a>	A1	20090204
	<a href="#">FR2919555</a>	A1	20090206
<b>TI</b>	Mechanical connector for a <b>windscreen wiper</b> for a vehicle		
<b>PA</b>	VALEO SYSTEMES ESSUYAGE		
<b>PAO</b>	VALEO SYSTEMES D'ESSUYAGE; Z.A. de l'Agiot, 8 rue Louis Lormand; 78321 La Verrière (FR)		
<b>IN</b>	ESPINASSE PHILIPPE; BOUSSET XAVIER; ROUSSEAU JEAN-FRANCOIS		
<b>AP</b>	2007FR-0005593 20070731 2008EP-0161450 20080730		
<b>PR</b>	2007FR-0005593 20070731		
<b>IC</b>	<a href="#">B60S-001/32</a> <a href="#">B60S-001/40</a>		
<b>ICAA</b>	<a href="#">B60S-001/40</a> [2006-01 A F I B H EP]		
<b>ICCA</b>	<a href="#">B60S-001/32</a> [2009 C F I B H EP]		
<b>EC</b>	<a href="#">B60S-001/40</a>		
<b>ICO</b>	<a href="#">L60S-001/38R</a>		
<b>DS</b>	(EP2020351) AT BE BG CH CY CZ DE DK EE ES FI FR GB GR HR HU IE IS IT LI LT LU LV MC MT NL NO PL PT RO SE SI SK TR AL BA MK RS		
<b>UP</b>	2009-06		
<b>AB</b>	(FR2919555) (...) and intended to be fixed at an adapter (5) ready to be connected to an arm of actuation (10) to form with this adapter (5) a mechanical connector for a brush of <b>windshield wiper</b> for motor vehicle. The platform (1) presents a parallelepipedic general form and the platform (1) and the adapter (5) can be assembled(...)		
<b>OTI</b>	(EP2020351) (A1) Mechanisches Verbindungsstück für einen <b>Scheibenwischer</b> für ein Fahrzeug (A1) Connecteur mécanique pour un <b>balai d'essuie-glace</b> pour véhicule automobile (A1) PLATEFORME DE CONNEXION DESTINEE A COOPERER AVEC UN ADAPTATEUR POUR FORMER AVEC CELUI-CI UN CONNECTEUR MECANIQUE POUR UN <b>BALAI D'ESSUIE-GLACE</b> POUR VEHICULE AUTOMOBILE		
<b>IW</b>	STOP; CONNECTION; ARM; BRUSH; ADAPTER; PROTRUSION; GROOVE ; <b>WINDSHIELD WIPER</b>		
<b>FAB</b>	(EP2020351) (...) un bras d'actionnement (10) pour former avec cet adaptateur (5) un connecteur mécanique pour un <b>balai d'essuie-glace</b> pour véhicule automobile. La plateforme (1) présente une forme générale parallélepédique et la plateforme (1) et l'adaptate		
<b>FAB</b>	(FR2919555) (...) un bras d'actionnement (10) pour former avec cet adaptateur (5) un connecteur mécanique pour un <b>balai d'essuie-glace</b> pour véhicule automobile. La plateforme (1) présente une forme générale parallélepédique et la plateforme (1) et l'adaptate/...		

**Links**

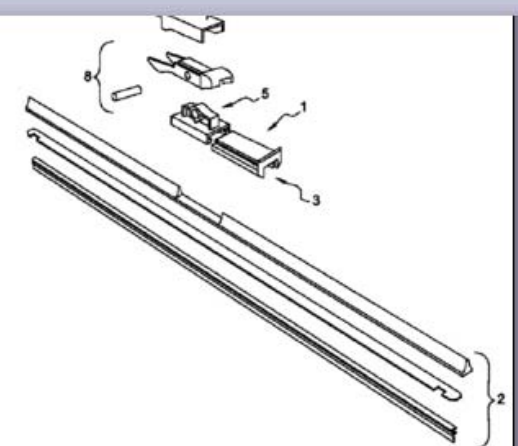


Fig 1  
©Questel

## Other example



### Search

- Express
- Advanced
- Similarity
- Extended Family
- Citations
- My session**
- Refine last search
- Search history
- View session log
- Cost estimator
- My tools**
- My saved sessions
- My saved searches
- My alerts
- My portfolio**
- Order patent copies
- My patent copies
- My workfiles
- Alerts portfolio
- My settings**
- User settings
- Sub account
- Change password
- Support**
- User Guide
- Incident report
- Help Desk
- Coverage and information

<b>ICAA</b>	<a href="#">B60S-001/38</a> [2006-01 A F I B H EP] <a href="#">B60S-001/52</a> [2006-01 A L I B H EP]
<b>ICCA</b>	<a href="#">B60S-001/38</a> [2006 C F I B H EP] <a href="#">B60S-001/46</a> [2006 C L I B H EP]
<b>EC</b>	<a href="#">B60S-001/38D</a> <a href="#">B60S-001/52B2</a>
<b>ICO</b>	<a href="#">L60S-001/38H4</a> <a href="#">L60S-001/38R</a>
<b>DS</b>	(WO200900498) AE AG AL AM AO AT AU AZ BA BB BG BH BR BW BY BZ CA CH CN CO CR CU CZ DE DK DM DO DZ EC EE EG ES FI GB GD GE GH GM GT HN HR HU ID IL IN IS JP KE KG KM KN KP KR KZ LA LC LK LR LS LT LU LY MA MD ME MG MK MN MW MX MY MZ NA NG NI NO NZ OM PG PH PL PT RO RS RU SC SD SE SG SK SL SM SV SY TJ TM TN TR TT TZ UA UG US UZ VC VN ZA ZM ZW ARIPO patent : BW GH GM KE LS MW MZ NA SD SL SZ TZ UG ZM ZW Eurasian patent : AM AZ BY KG KZ MD RU TJ TM European patent : AT BE BG CH CY CZ DE DK EE ES FI FR GB GR HU IE IS IT LT LU LV MC NL PL PT RO SE SI SK TR OAPI patent : BF BJ CF CG CI CM GA GN GQ GW ML MR NE SN TD TG
<b>UP</b>	2009-01
<b>OTI</b>	(WO200900498) (A1) FLACHES <b>WISCHBLATT</b> (A1) <b>BALAI D'ESSUIE-GLACE</b> PLAT (A1) Flaches <b>Wischblatt</b>
<b>GAB</b>	(WO200900498) Flaches <b>Wischblatt</b> für Scheibenwischenanlagen mit einem Wischteil, welches von wenigstens einem Wischgummi mit zumindest einer Wischlippe und von wenigstens einer in einer Ausnehmung des Wischgummis aufgenommenen und von diesem umschlossenen Federschiene gebildet ist, sowie mit wenigstens einem Adapter zum Befestigen des <b>Wischblattes</b> an einem Wischarm.
<b>GAB</b>	(DE102007030169) Flaches <b>Wischblatt</b> für Scheibenwischenanlagen mit einem Wischteil, welches von wenigstens einem Wischgummi mit zumindest einer Wischlippe und von wenigstens einer in einer Ausnehmung des Wischgummis aufgenommenen und von diesem umschlossenen Federschiene gebildet ist, sowie mit wenigstens einem Adapter zum Befestigen des <b>Wischblattes</b> an einem Wischarm.
<b>AB</b>	(WO200900498) A flat <b>wiper blade</b> for <b>wiper</b> systems, with a <b>wiper</b> part which is formed by at least one <b>wiper</b> rubber having at least one <b>wiper</b> lip and by at least one spring rail which is accommodated in a recess of the <b>wiper</b> rubber and is enclosed by the latter, and with at least one adapter for fastening the <b>wiper blade</b> to a <b>wiper</b> arm.
<b>FAB</b>	(WO200900498) L'invention concerne un <b>balai d'essuie-glace</b> plat pour des systèmes d' <b>essuie-glace</b> avec une partie d' <b>essuie-glace</b> qui est formée par au moins un caoutchouc d' <b>essuie-glace</b> présentant au moins une lèvre d' <b>essuie-glace</b> et par au moins une réglette élastique reçue dans un logement du caoutchouc d' <b>essuie-glace</b> et entourée par celui-ci. Le <b>balai d'essuie-glace</b> selon l'invention comprend aussi au moins un adaptateur pour fixer le <b>balai d'essuie-glace</b> sur un bras d' <b>essuie-glace</b> .

